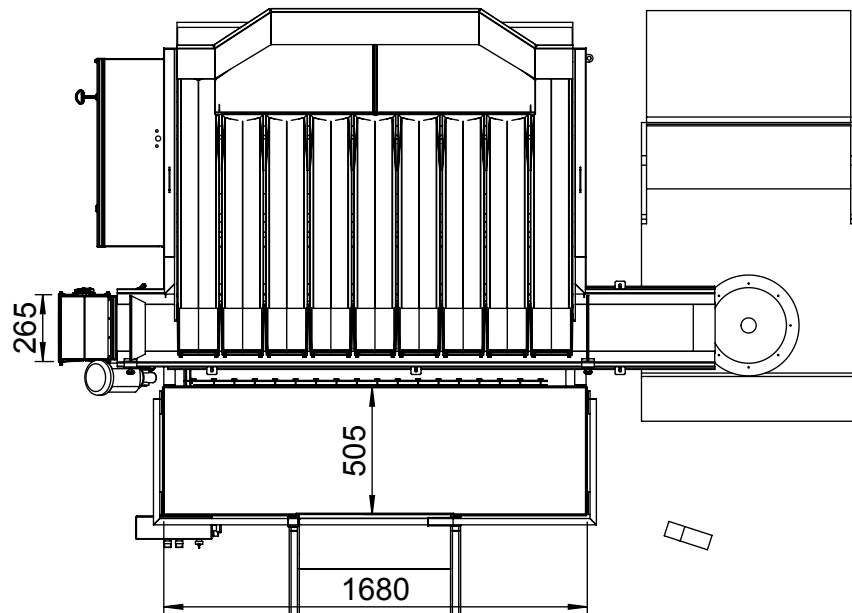
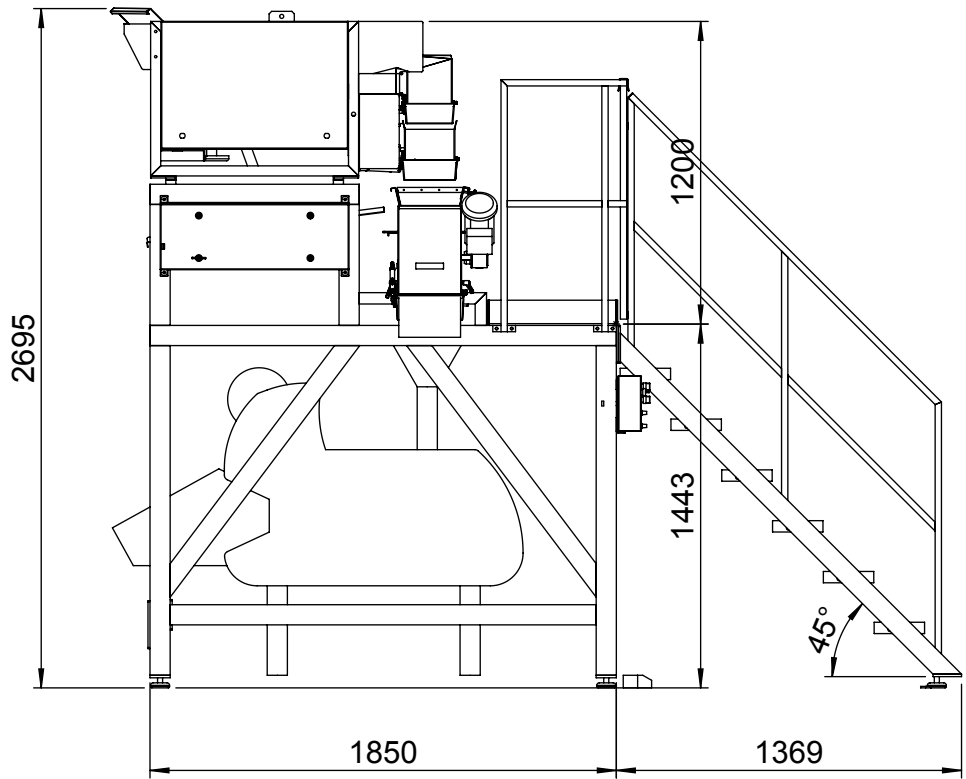
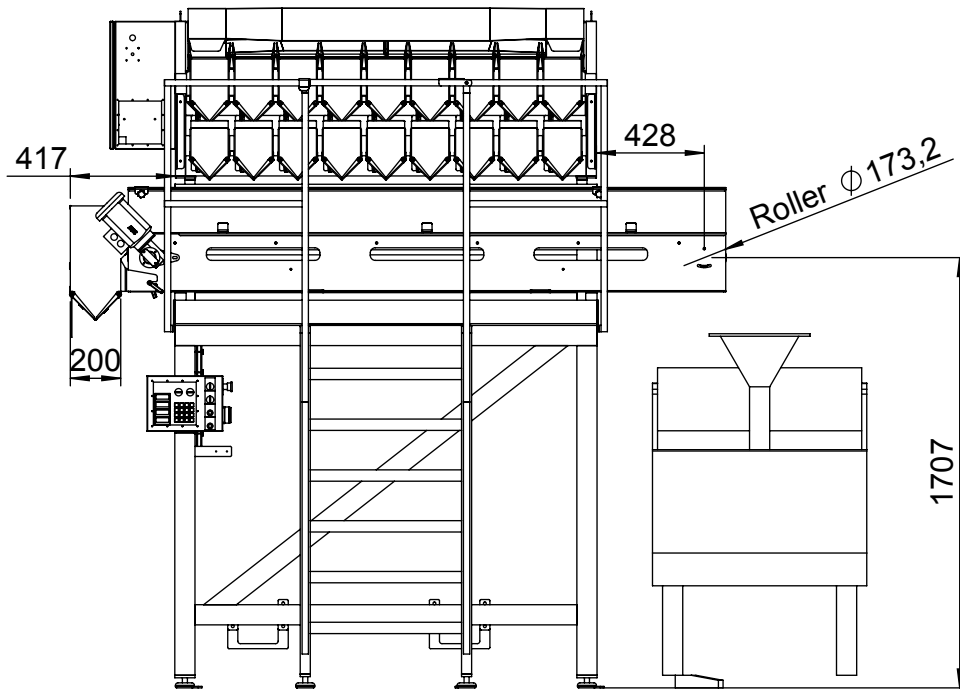


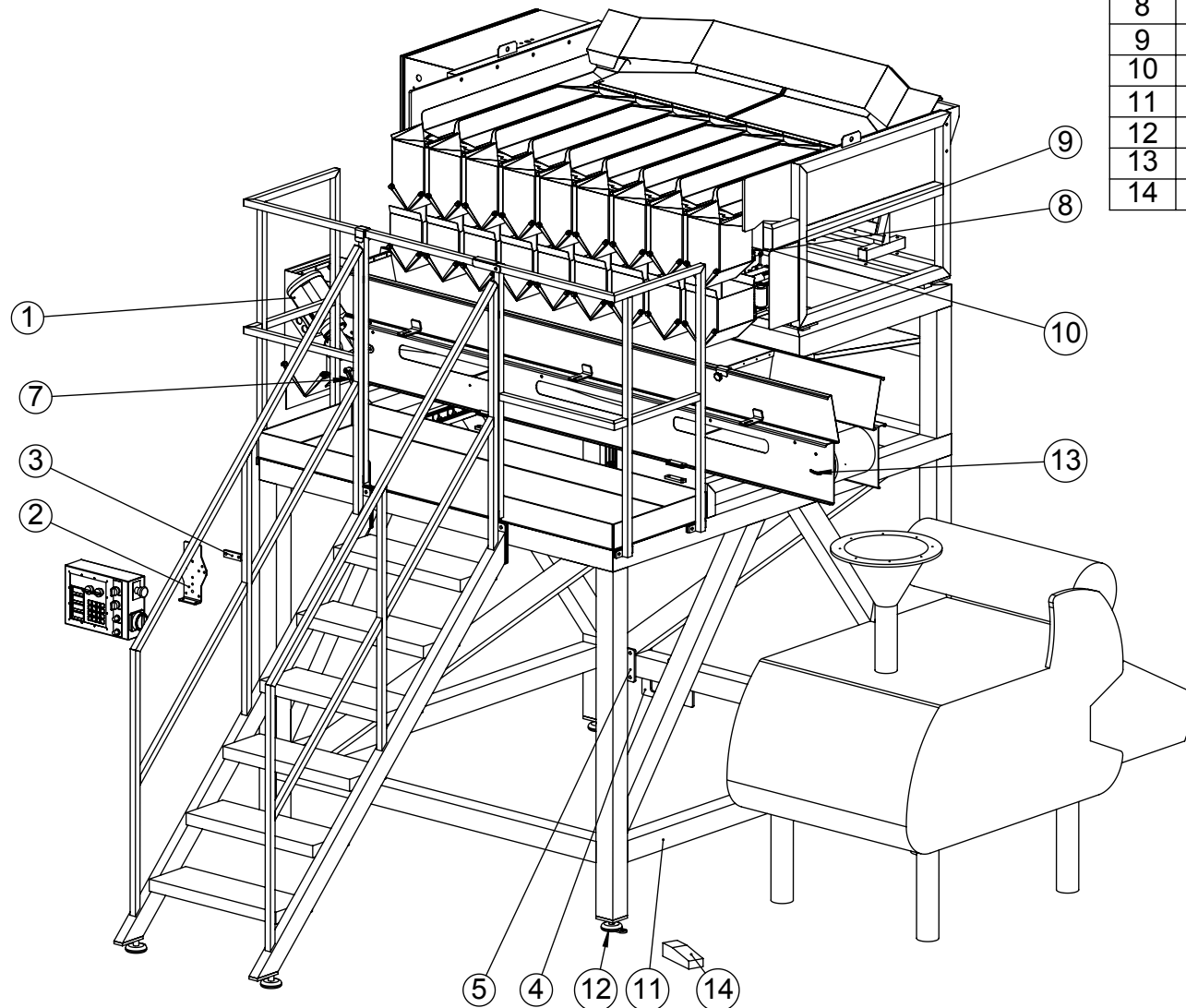
O:\N-ordre\13xxx\Layout 2013\EMVE-S\443656-2009PCB-Easybagger

NEWTEC	Phone: +45 66 15 84 44	www.newtec.com	
	Fax: +45 66 15 44 39	rd@newtec.dk	
Name: 2009PCB-Easybagger			
Navn: 2009PCB-Easybagger			
Item no. & revision:	Scale:	Date - sign:	Format
443656 C	1:25	09-01-13 - MR	A4



Preliminary layout

NEWTEC	Phone: +45 66 15 84 44	www.newtec.com	
	Fax: +45 66 15 44 39	rd@newtec.dk	
Name: 2009PCB-Easybagger			
Navn: 2009PCB-Easybagger			
Item no. & revision:	Scale:	Date - sign:	Format
443656 C	1:30	09-01-13 - MR	A4



Pos.	Qty.	Item no	Item name
1	1	444500	Collecting pan 200x250
2	1	420441	Bracket for control unit
3	1	419353	Bracket
4	2	422253	Bracket for forklift
5	4	422254	Bracket 80 mm tube
6	1	434239	Cabinet 738 wash down proof excl. el.comp.
7	2	GN300.1-63-M8- 20SW	Lever M8x20
8	1	2009PCBR-2B3-EU	Weigher 2009PCBR-2B3
9	2	KK2P-04H	Coupler male Ø4
10	2	KK2S-04E	Coupler female Ø4
11	1	344325	Cat walk 2009PCB
12	6	M76-20-100	Machine feet M20
13	1	444425	Conveyer intralox
14	1	F1U1	Foot pedal N GF 1FL/BR

NEWTEC	Phone: +45 66 15 84 44	www.newtec.com
	Fax: +45 66 15 44 39	rd@newtec.dk
Name: 2009PCB-Easybagger		
Navn: 2009PCB-Easybagger		
Item no. & revision:	Scale:	Date - sign:
443656 C	1:40	09-01-13 - MR
		Format
		A4