

C-PACK

Film wrapped mesh bag production with low
cost entry

Fox SOLUTIONS™

HS 913

Made in Germany



C-PACK

Verpackungsmaschinen GmbH

Kleiner Moorweg 34
25436 Tornesch - Germany

Tel: +49-4122-51173

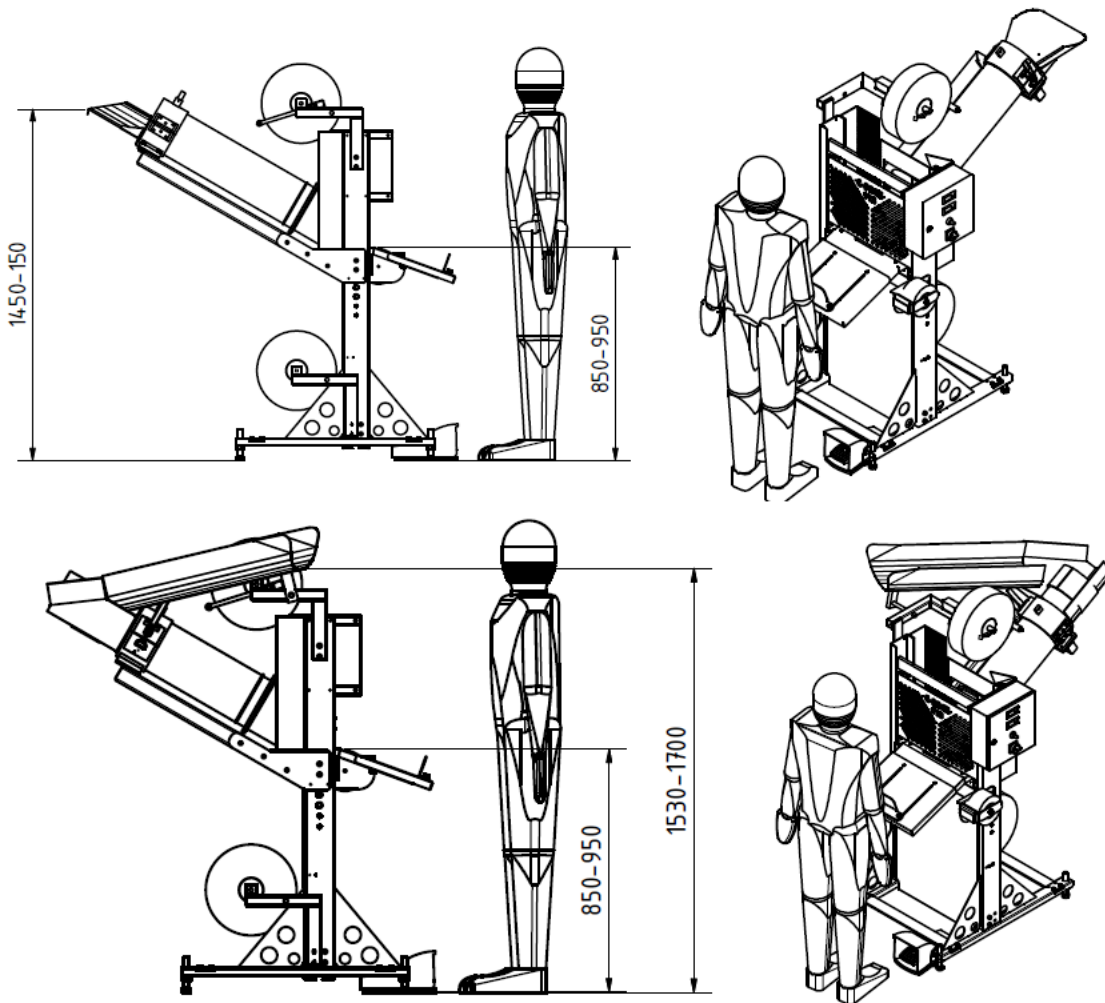
Fax: +49-4122-55647

e-mail: c-pack@c-pack.com

Internet: www.c-pack.com

C-PACK

Verpackungsmaschinen GmbH



FOX
SOLUTIONS™

Lockport NY 716-201-1632
www.solutionsbyfox.com

McAllen TX 956-682-6176
www.foxbag.com

Technical data:

- Base of heavy steel construction.
- Electronic control system, Complete electric cabling.
- Power supply cable (4.0 metres) 2 phases with plug.
- Power supply: 110 Volts / 60 Hz, 1 Kw
- Pneumatic requirements: 5 bar, approx. 5 litres air / cycle
- Net Weight: appx. 200 Kg
- Label roll support for manually attaching labels
- Film width: 90 mm (standard)
- Net tube diameter: 180 mm (standard)

Optionally available:

- Filling device, net tube different diameters
- Different sets for various film sizes